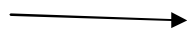
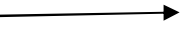
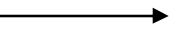
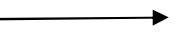


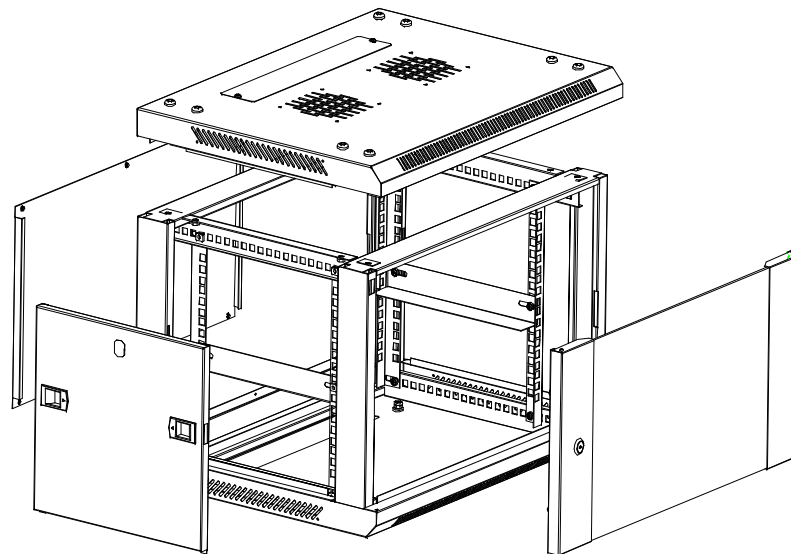
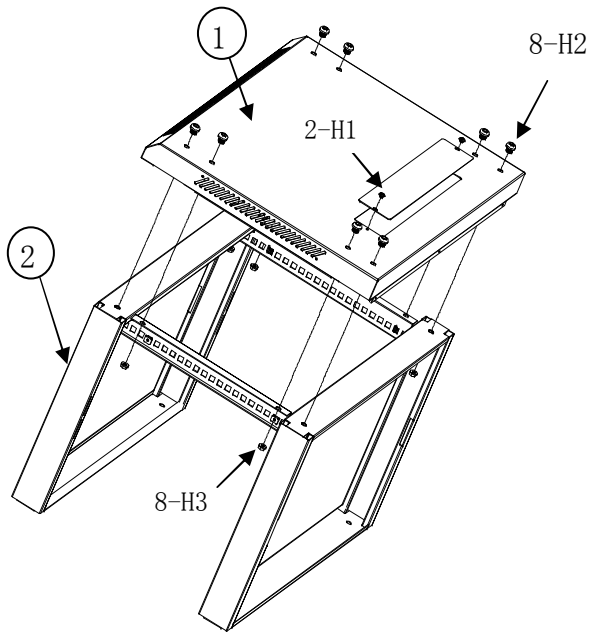
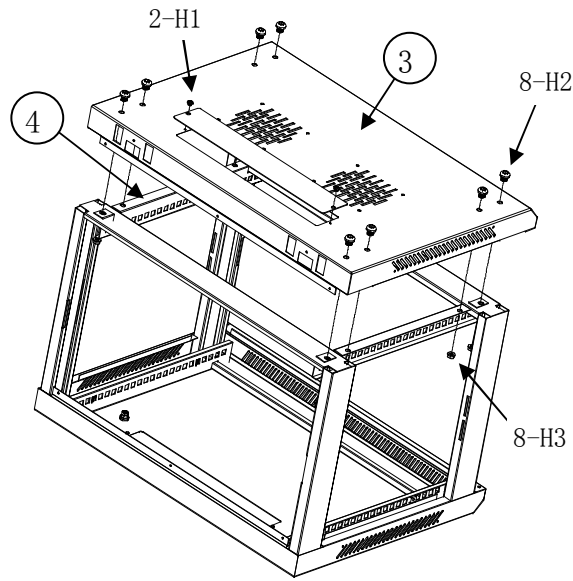


REV	QTY	DESCRIPTION	REV	QTY	DESCRIPTION
1	1	BOTTOM TRAY	H1	4	
2	2	FRAME	H2	16	
3	1	TOP			
4	4	HORIZONTAL SUPPORT			
5	4	VERTICAL SUPPORT	H3	16	
6	2	SIDE PANEL			
7	1	BACK PANEL	H4	12	
8	2	L-TYPE SHELF			
9	1	FRONT DOOR	H5	12	
			H6	6	

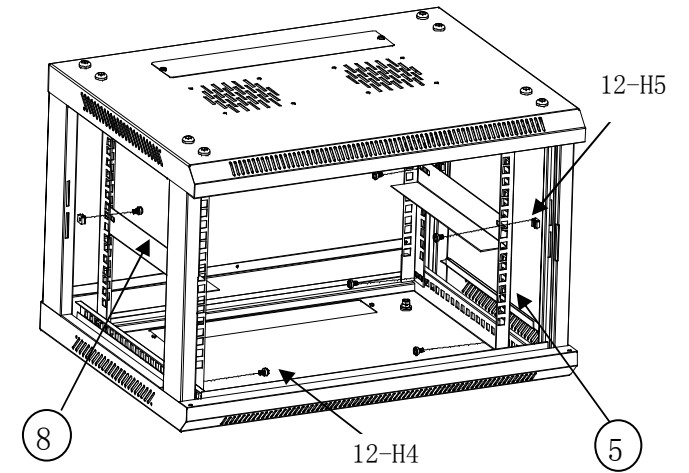




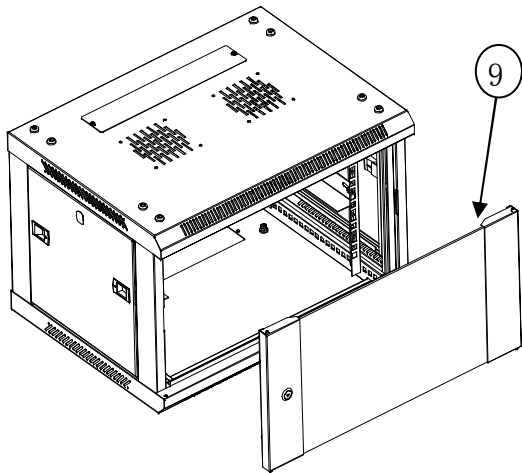
(Assembles 1)



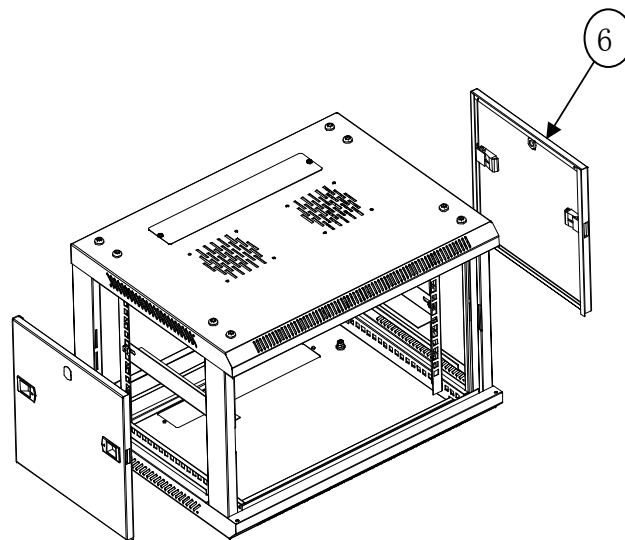
(Assembles 2)



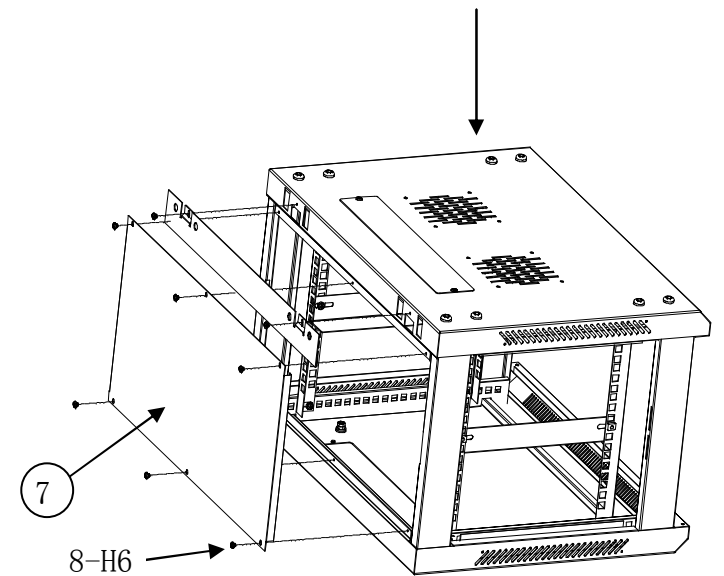
(Assembles 3)



(Assembles 6)



(Assembles 5)



(Assembles 4)